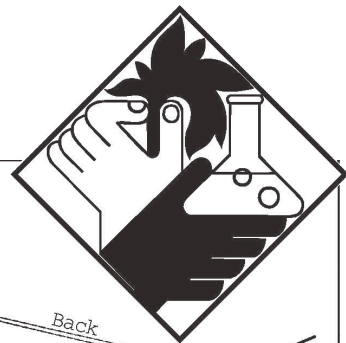


# Soil Nutrient Analysis Laboratory

Soil Nutrient Analysis Laboratory; 6 Sherman Place, Unit 5102, Storrs, CT 06269-5102 • Phone: 860-486-4274  
Fax: 860-486-4562 Location: Union Cottage, Depot Campus, Mansfield

## HOME COMPOSTING BINS



### COMPOST BIN (4'X 4'X 4')

#### LUMBER NEEDED

Rough Cut Pine – No. 4 pine

A. 18 pieces 1" x 6" x 48"

B. 5 pieces 1" x 6" x 45 1/2"

C. 1 piece 1" x 6" x 46"

D. 2 pieces 1 1/2" x 1 1/2" x 38 1/2"

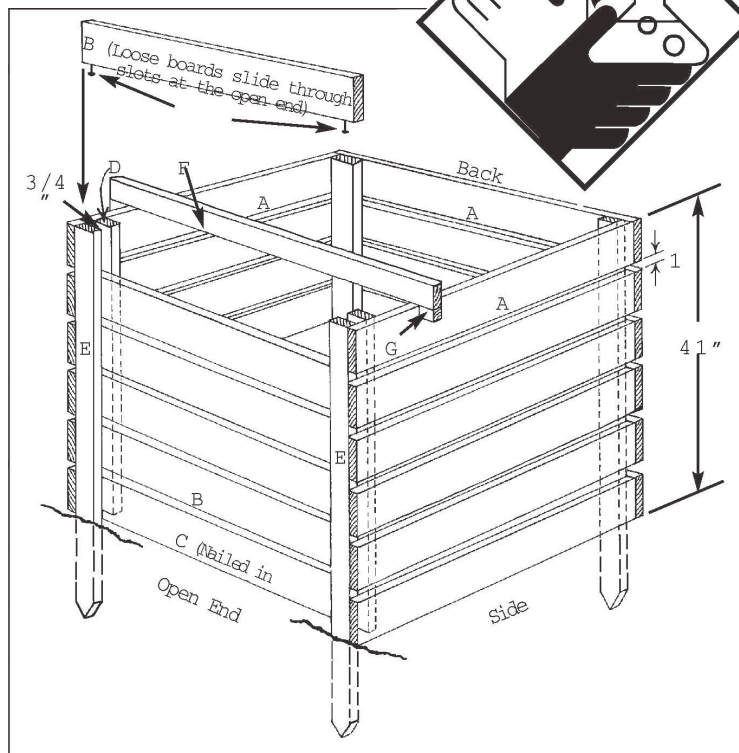
E. 4 pieces 3 1/2" x 1 1/2" x 48"  
(tapered at one end)

F. 1 piece 1" x 4" x 51 3/4"

G. 2 pieces 1" x 4" x 2"

#### DIRECTIONS

- Place two E pieces on the ground with the outside edges four feet apart with the 1 1/2" side up.
- Place six A pieces horizontally an equal distance apart (about one inch) from top to bottom and nail to the E pieces. Repeat this process and you have constructed the two sides.
- Stand the two sides four feet apart and nail six more A pieces horizontally to catch the sides, and you have constructed the back.
- Nail one D piece vertically 3/4" away from piece E to make a 3/4" slot between the D piece and the E piece at the open end of the bin. (This slot is a track into which the five B pieces will be inserted.) Do the same with the other D piece on the other side of the open end.
- Nail the C piece across the open end, inside the slot (horizontally at the bottom) to match the level of the A pieces at the bottom of the sides.
- The remaining five B boards should fit into the groove. Put two nails into the bottom (1" edge) of each board, leaving about one



inch of the nail protruding to separate the boards at the same interval as on the sides and the back.

- Nail the G pieces at the end of the F pieces, forming a lip at each end to make a spreader bar. This should be put across the top of the bin to prevent spreading as the bin fills with compost.

### WIRE BIN (3'X 3'X 3')

#### LUMBER NEEDED

16 pieces 1" x 4" x 3'

1 piece 1" x 4" x 16' for corner braces

#### MATERIALS NEEDED

12 feet of 36" wide 1/2" hardware cloth

32 joint fasteners

150 poultry wire staples or power stapler



University of Connecticut

College of Agriculture & Natural Resources  
COOPERATIVE EXTENSION SYSTEM

Department of Plant Science

# Soil Nutrient Analysis Laboratory

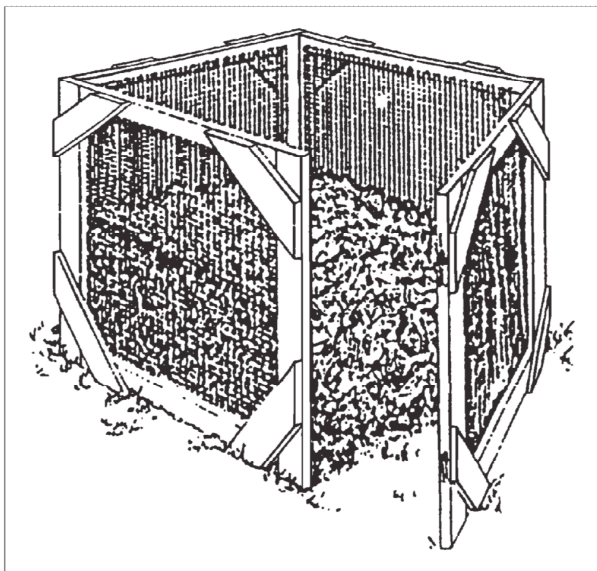
Soil Nutrient Analysis Laboratory; 6 Sherman Place, Unit 5102, Storrs, CT 06269-5102 • Phone: 860-486-4274  
Fax: 860-486-4562 Location: Union Cottage, Depot Campus, Mansfield

Four 3" galvanized butt door hinges  
Four large hook-and-eye gate latches

## DIRECTIONS

- Make a 3-foot square of 1" x 4" with two 3' lengths and two shorter pieces to fit between them.
- Join these boards with two joint fasteners at each corner to hold them together.
- On the other side, nail or screw a corner brace to each corner.
- On the side with joint fasteners, put a 3' x 3' piece of hardware cloth. Bend over edges 1" and staple wire every 4" to the wood, keeping it as tight as possible.
- Construct three other sides the same way.
- Connect each pair of frames with two hinges.
- Then put the hook and eye gate latches on the other ends so that the sections latch together.

(Plans adapted by Master Composter Bob Eber.)



## MORE COMPOSTING EQUIPMENT

Many materials and tools are sold to help the home composter. Some are listed here:

- **Chipper/Shredders** – Break the plant material into smaller pieces. They may chip branches of various sizes as well.

- **Aerators** – Enable air to penetrate into the pile.
- **Thermometers** – Monitor existing compost pile temperatures.
- **Compost Bins** – Confine the composting material in a defined space. They may be made of wood, wire or brick.

These materials can be found at garden centers and other retailers that sell gardening products. In addition, garden supply catalogs offer some or all of these products.

## READING MATERIALS

Numerous sources of information dealing with composting are available from magazines, books, gardening programs and internet sites. Many gardening books in your local library have information on composting.

The following books contain valuable information on composting and are available from many local bookstores or garden centers. Although not a complete list, they are representative of current knowledge about composting at the home level.

*Compost This Book* by Tom Christopher and Marty Asher. Sierra Club Books. 1994. ISBN 087156596x

*Let It Rot* by Stu Campbell. Storey Communication. 1998. ISBN 1580170234

*The Rodale Book of Composting*. Deborah L. Martin (editor). Rodale Press. 1992. ISBN 0878579915

*Secrets to Great Soil* by Elizabeth P. Stell. Storey Communications. 1998. ISBN 1580170080

*Soil and Composting* by Nancy J. Ondra. A Taylor's Weekend Gardening Guide. Houghton Mifflin Co. 1998. ISBN 0395862949